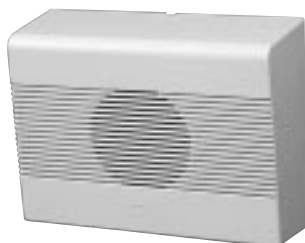


# WALL-MOUNTED SPEAKERS

WALL-MOUNTED SPEAKER

**WS-2330N** 



WALL-MOUNTED SPEAKER

**WS-2335N** 



WALL-MOUNTED SPEAKER

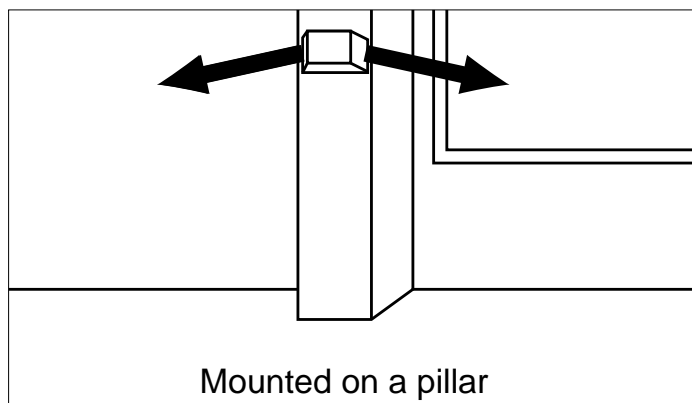
**WS-2360N** 



- Refined appearance to match the wall
- Small and simple design
- High performance 12cm speaker
- Volume Attenuation Level can be controlled between 0, -6dB, -12dB,  $-\infty$  by the slide switch. (WS-2335N only)
- Available to deliver sound in two directions at the same time (WS-2360N only)

## Installation example for a Bi-Directional Speaker (WS-2360N)

Speaker delivers sound in two directions at the same time and is ideally suited for passageways.



## Business Patners :

**EUROCOIN SALES & SERVICES SDN. BHD.**  
(Co No 236371-A)

35, Jalan SS 15/4C, Subang Jaya  
47500 Selangor

Tel: 5637 3000 Fax: 5637 1000

E-mail address: [info@eurocoin.com.my](mailto:info@eurocoin.com.my)

Website: [www.eurocoin.com.my](http://www.eurocoin.com.my)

## SPECIFICATIONS

Model No.	WS-2330N	WS-2335N	WS-2360N
Rated Input	3 W	3 W	6 W
Input Impedance	3.3 k $\Omega$ , 5 k $\Omega$ , 10 k $\Omega$	3.3 k $\Omega$	1.65 k $\Omega$ , 2.5 k $\Omega$ , 5 k $\Omega$
Frequency Response	150 - 15,000 Hz	150 - 15,000 Hz	150 - 15,000 Hz
Sound Pressure Level	92 dB (1 m/ 1 W)	92 dB (1 m/ 1 W)	92 dB (1 m, 1 W)
Speaker	12 cm cone speaker	12 cm cone speaker	Two 12cm cone speakers
Volume Attenuation Level	—	0, -6 dB, -12 dB, $-\infty$	—
Dimensions (W x H x D)	290 x 214 x 100(long)/74(short) mm	290 x 214 x 100 (long)/74 (short) mm	290 x 214 x 130 mm
Weight	approx. 1 kg	approx. 1 kg	approx. 1.4 kg
Finish	High-impact Polystyrene (94 -V0 grade) (similar to Munsell 5Y8.5 /1)	High-impact Polystyrene (94 -V0 grade) (similar to Munsell 5Y8.5 /1)	High-impact Polystyrene (94 -V0 grade) (similar to Munsell 5Y8.5/1)

\*Refer to the speaker color samples on Page 28.